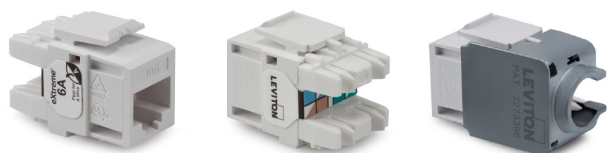


EXTREME™ Cat 6A Channel-Rated QUICKPORT™ Jack

APPLICATION

The EXTREME Cat 6A Channel-Rated QUICKPORT jack is designed to be used with all QUICKPORT compatible products and features patented injection-molded Cone of Silence™ covers to eliminate alien crosstalk (AXT). The jack includes patented Retention Force Technology™ to promote consistent network performance over the life of the system. Unique Pair Separation Towers facilitate quick, easy terminations. The jack is configured in a 180-degree configuration such that the punch down field is in the back, allowing for rear termination.



SPECIFICATION

The jack shall meet or exceed the requirements for electrical transmission in performance of links and channels as described in ANSI/TIA-568.2-D (Cat 6A), ISO/IEC 11801-1 (Class E_A), and EN 50173-1 (Class E_A). The modular jack shall be snap-in style. The jack shall be compliant with ANSI/TIA-1096-A, c(UL)us listed, and be independently verified for electrical transmission performance and power delivery. In addition to Cat 6A compliance, the jack shall have the ability to support high-megabit and shared-sheath applications. All plastics used in construction of jack bodies shall be fire retardant with a UL flammability rating of 94V-0. All terminations shall use 110-type insulation displacement jacks (IDC). The jack shall provide a ledge directly adjacent to the 110-style termination against which wires can be directly terminated and cut in one action by the installation craftsman. Jack wiring is universal and will accommodate installation color codes for T568A and T568B wiring schemes. The termination field shall be in the rear for easy access. The jack shall include an alien crosstalk attenuation cover (Cone of Silence) to protect the termination field from induced noise from adjacent jacks. The modular jack shall fit in a variety of telecommunications wallplates, outlets, and field-configurable patch panels and patch blocks. The jack shall be available in 13 ANSI/TIA-606-C compatible colors. The jack shall be compliant with IEEE 802.3 PoE Type 1, 2, 3, 4 (100 watts max).

COUNTRY OF ORIGIN

USA

WARRANTY INFORMATION

For Leviton product warranties, go to leviton.com/ns/warranty

FEATURES

- Terminates 26 to 22 AWG solid conductors and 24 to 22 AWG stranded conductors
- Terminates 26 AWG stranded conductors up to 5 times
- Cat 6A/Class EA Channel Performance
- Patented RFT protects against tine damage from 4- or 6-pin plugs
- Alien crosstalk suppressed by Cone of Silence, metalized body, and new printed circuit board
- Pair Separation Tower (PST) design facilitates separation of Cat 6A conductors
- Patented, dual-layer wiring label simplifies punchdown and reduces rework

DESIGN CONSIDERATIONS

- Use in any QUICKPORT housing to support Cat 6A UTP connectivity in surface-mount, flush-mount, or modular-furniture outlets and field-configurable panels
- Can be used in conjunction with other QUICKPORT snap-in modules for voice/data/video applications over UTP, coax, fiber
- To identify ports, use different colored modules for each application (full selection of ANSI/TIA-606-C compatible colors - 13 available)

STANDARDS & REGULATIONS

- ANSI/TIA-568.2-D (Cat 6A)
- ISO/IEC 11801-1 (Cat 6A)
- EN 50173-1 (Cat 6A)
- ANSI/TIA-1096-A (formerly FCC Part 68)
- IEC 60512-99-002
- IEC 60603-7 (includes IEC 60512-5-2)
- c(UL)us Listed (UL 1863)
- UL 2043 Plenum Certified
- IEEE 802.3 PoE Type 1, 2, 3, 4 (100 watts max)
- Cisco UPOE, UPOE+ (90 watts max)
- Power over HDBaseT™ PoH (95 watts max)
- RoHS 3
- ETL verified to meet the IEC 60512-99-002 standard for support of IEEE 802.3 Type 4 PoE (100-watt) applications

PRODUCT SPECIFICATIONS

6110G-xx6

MECHANICAL SPECIFICATIONS

Dimensions: See below

Materials: **Jack Body:** High-impact, fire-retardant plastic rated UL 94V-0

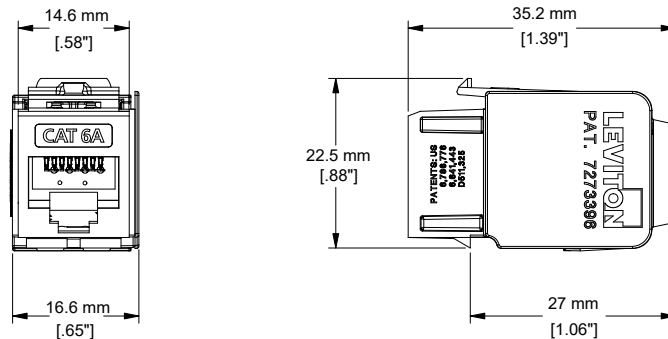
Spring Wire Contacts: High-quality, copper-based alloy, plated with 50 microinches of gold for lowest contact resistance and maximum life

Temp. (Storage): -40 °C to +70 °C (-40 °F to +158 °F)

Temp. (Installation): Refer to cable installation temperature

Temp. (Operating): -10 °C to +60 °C (+14 °F to +140 °F)

Humidity (Max.): 95% relative humidity, non-condensing



PART NUMBER		
Description	Part No.	GREENPACK™ 12-Pack
EXTREME™ Cat 6A Channel-Rated QUICKPORT™ Jack, white	6110G-RW6	6110G-CW6
EXTREME Cat 6A Channel-Rated QUICKPORT Jack, light almond	6110G-RT6	—
EXTREME Cat 6A Channel-Rated QUICKPORT Jack, ivory	6110G-RI6	—
EXTREME Cat 6A Channel-Rated QUICKPORT Jack, yellow	6110G-RY6	—
EXTREME Cat 6A Channel-Rated QUICKPORT Jack, orange	6110G-RO6	—
EXTREME Cat 6A Channel-Rated QUICKPORT Jack, crimson	6110G-RC6	—
EXTREME Cat 6A Channel-Rated QUICKPORT Jack, dark red	6110G-RR6	—
EXTREME Cat 6A Channel-Rated QUICKPORT Jack, purple	6110G-RP6	—
EXTREME Cat 6A Channel-Rated QUICKPORT Jack, blue	6110G-RL6	6110G-CL6
EXTREME Cat 6A Channel-Rated QUICKPORT Jack, green	6110G-RV6	—
EXTREME Cat 6A Channel-Rated QUICKPORT Jack, gray	6110G-RG6	—
EXTREME Cat 6A Channel-Rated QUICKPORT Jack, black	6110G-RE6	6110G-CE6
EXTREME Cat 6A Channel-Rated QUICKPORT Jack, brown	6110G-RB6	—

For further support information, visit leviton.com/ns/support