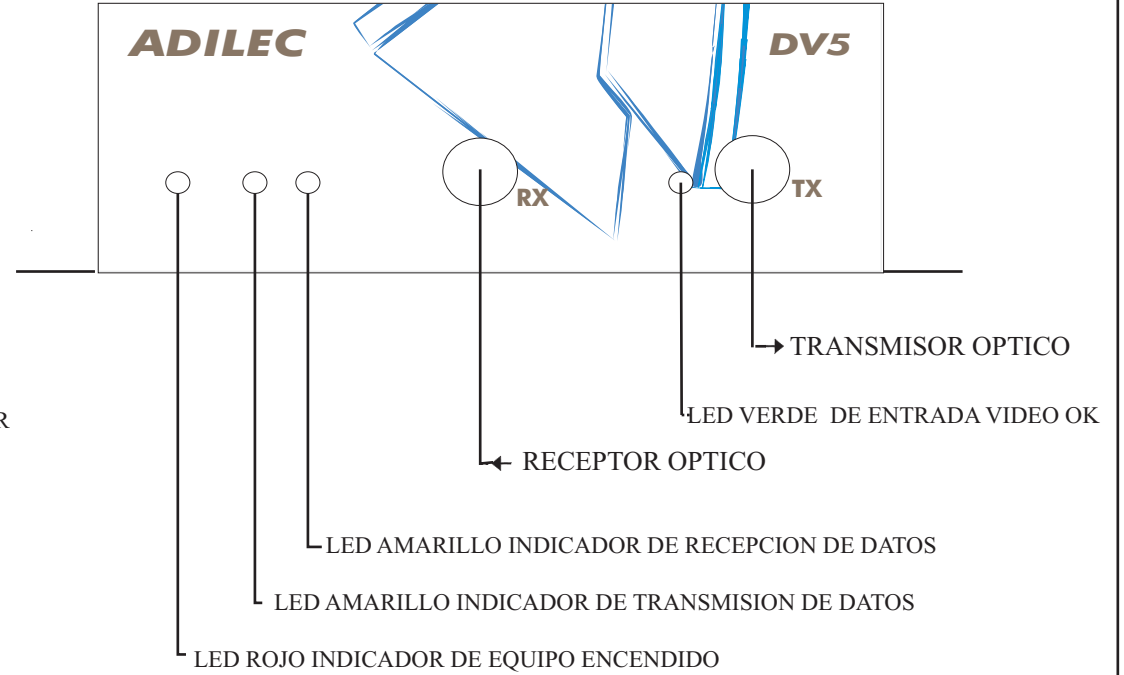
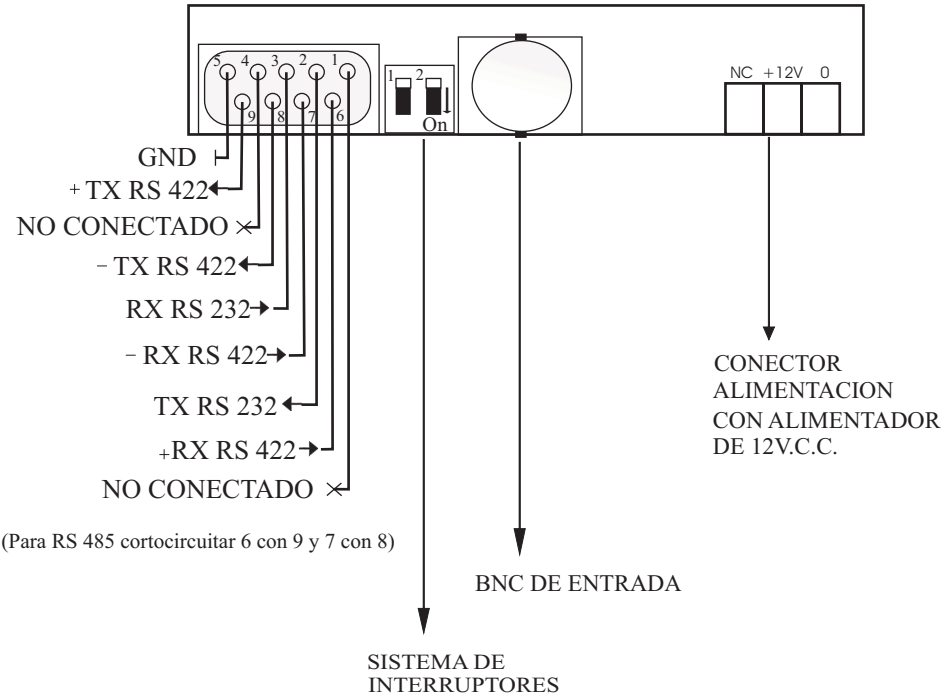


Vista trasera

Vista delantera



SWITCH		
INTERRUPTOR 1	INTERRUPTOR 2	CONFIGURACION
ON	OFF	RS-232
ON	ON	RS-485
OFF	OFF	RS-422
OFF	ON	RS-422 DROP

